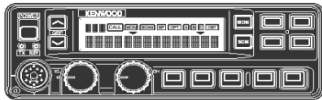


TK-5710 / 5810

VHF/UHF FM & P25 Digital Mobile Radios



All P25 series mobiles include:

- RF Deck Only
(Configuration Set & Assembly Labor Code must be order for a Complete Mobile.)
- Premium Warranty: 3 Years*

* All Accessories / options: 1 Year

* TX Power is derated
at 500-520 MHz for TK-5810HBK:

450-499 MHz (100 W)
500-520 MHz (60 W)

GENERAL FEATURES

- 50W & 110W (136-174 MHz)
- 45W & 100 W (450-520, 400-470 MHz)
- 50 Zones / 512 Channels
- Personality Lists
- Enhanced Kenwood Audio
- Zone/CH Voice Announce
- Emergency Features
- Tactical Group
- Intercom
- Public Address
- Time Out Timer
- Busy Channel Lockout
- Ignition Sense
- Timed Power Off
- DB-25 & 9-Pin Accessory Connectors
- Transceiver Password
- Date & 12/24 Hour Time Clock
- Windows® Programming & Tuning
- Windows® Firmware Uploading
- Field-Programming & Tuning
- Cloning
- Easy Option Ports (26-pin)
- DB-25 & 9-Pin Accessory Connectors
- MIL-STD 810 C/D/E/F, IP-54
- MIL-STD Noise-Cancel Mic (included)
- MIL-STD 12-Key DTMF Mic Option

MOUNTING CONFIGURATIONS

- Dash Mount
- Single Control Head Remote Mount
- Dual Control Head Remote Mount

FRONT PANELS/CONTROL HEADS

- KCH-14 Front Panel
 - 12-Character Alphanumeric Aliases
 - 5 PF Keys
 - Built-in Front Speaker
- KCH-15 Front Panel
 - 14-Character Alphanumeric Aliases
 - 11 PF Keys
- KCH-16M Handheld Control Head
 - 14-Character Alphanumeric Aliases
 - 9 PF Keys
 - 12-Key DTMF/Function Keypad

SCAN TYPES (FM & P25)

- Single Zone/Multi-Zone Scan
- Scan Lists
- Conventional Scan
- Limited Talk Group Scan
- Priority Monitor Scan
- Dual Priority Scan

FM

- QT / DQT
- Operator Selectable Tone
- Two-Tone Decode / Encode
- DTMF Encode / Decode / Stun
- Special Alert Tone Patterns
- Horn Alert Output
- Encryption / ANI Board Control
- Companded Audio

FleetSync® (FM)

- FleetSync® or FleetSync® II
- PTT ID Digital ANI
- Caller ID Display
- Status Messaging
- Emergency & Stun Statuses
- Selective & Group Call
- Text Messaging

MDC-1200

- PTT ID Digital ANI
- Caller ID Display
- Emergency Status
- Radio Check
- Radio Inhibit

P25 DIGITAL

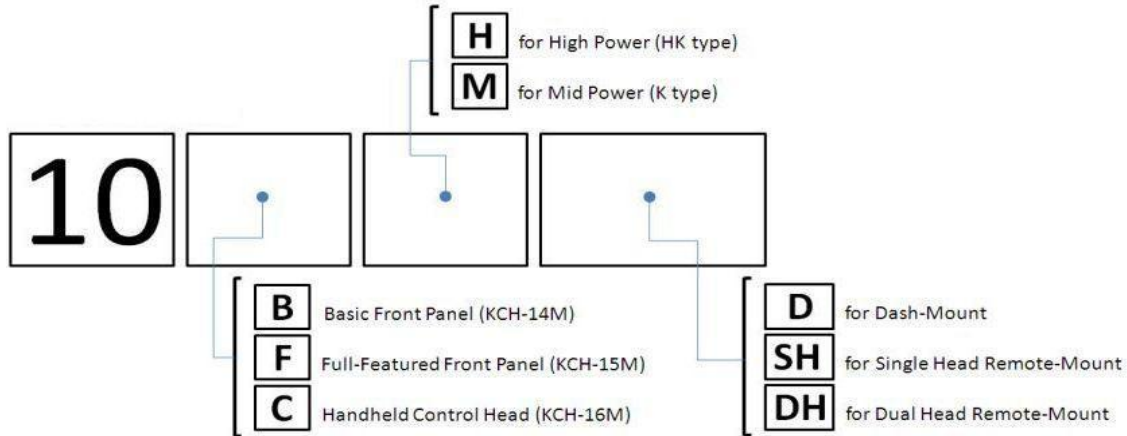
- P25 Digital Conventional
- P25 Digital Trunking Option
- IMBE™ VOCODER
- Talk Group ID Lists
- Individual ID Lists
- Caller ID Display
- RSSI Indicator
- Remote Monitor
- Remote Check
- Radio Inhibit
- Encryption Key Delete
- Encryption Key Zeroize (SCM required)
- Encryption Key Retention (SCM required)
- DES 16-Key SCM Option
- AES FIPS 140-2 & DES 16-Key SCM Option
- KPG-94 KVL Key Loader Interface Cable

MODEL		LIST
<i>VHF Version 2 radios only (SN 80600001 or later)</i>		
TK-5710BK	136-174MHz 10-50W 50 Zones/512 Channels (R.F. DECK ONLY)	1,840.00
TK-5710HBK	136-174MHz 50-110W 50 Zones/512 Channels (R.F. DECK ONLY)	2,352.00
TK-5810BK	450-520 MHz 5-45W 50 Zones/512 Channels (R.F. DECK ONLY)	1,840.00
TK-5810BK2	400-470 MHz 5-45W 50 Zones/512 Channels (R.F. DECK ONLY)	1,840.00
TK-5810HBK	450-520 MHz 50-100W 50 Zones/512 Channels (R.F. DECK ONLY)	2,352.00
TK-5810HBK2	400-470 MHz 50-100W 50 Zones/512 Channels (R.F. DECK ONLY)	2,352.00

ACCESSORY CONFIGURATION SETS

LIST

CONFIGURATION SET DEFINITIONS



Dash Mount

		LIST
10BHD	KCH-14M, KCT-23M2, KMB-9, KMC-27	683.50
10BMD	KCH-14M, KCT-23M, KMB-5, KMC-27	653.50
10FHD	KCH-15M, KCT-23M2, KMB-9, KMC-27, KES-5	744.75
10FMD	KCH-15M, KCT-23M, KMB-5, KMC-27, KES-5	714.75

Single Head Remote Mount

		LIST
10BHSH	KCH-14M, KRK-5, KCT-22M2, KCT-23M4, KMB-9, KMC-27	921.00
10BMSH	KCH-14M, KRK-5, KCT-22M2, KCT-23M3, KMB-5, KMC-27	887.75
10FHSH	KCH-15M, KRK-5, KCT-22M2, KCT-23M4, KMB-9, KMC-27, KES-5	982.25
10FMSh	KCH-15M, KRK-5, KCT-22M2, KCT-23M3, KMB-5, KMC-27, KES-5	949.00

Dual Head Remote Mount

		LIST
10BHDH	KCH-14M(x2), KRK-6DH, KCT-22M2(x2), KCT-23M4, KMB-9, KMC-27(x2)	1,718.00
10BMDH	KCH-14M(x2), KRK-6DH, KCT-22M2(x2), KCT-23M3, KMB-5, KMC-27(x2)	1,684.75
10FHHDH	KCH-15M(x2), KRK-6DH, KCT-22M2(x2), KCT-23M4, KMB-9, KMC-27(x2), KES-5(x2)	1,840.50
10FMHDH	KCH-15M(x2), KRK-6DH, KCT-22M2(x2), KCT-23M3, KMB-5, KMC-27(x2), KES-5(x2)	1,807.25

Handheld Control Head Remote

		LIST
10CHSH	KCH-16M, KRK-11M, KCT-22M2, KCT-23M4, KMB-9, KES-5	1,056.75
10CMSH	KCH-16M, KRK-11M, KCT-22M2, KCT-23M3, KMB-9, KES-5	1,046.25

FRONT PANELS & REMOTE KITS (Order Configuration Sets for full install accessories)

LIST

KCH-14M	Basic Remote Control Head w/ 12 Alphanumeric Display (4W Front Speaker) Note: All KCH-14 / Basic Control Head configurations are shipped with the control heads 4W internal speaker enabled. Order L-1008 to enable the 13W external speaker output for KES-5 speaker use. This will disconnect the control heads internal 4W speaker !	504.00
KCH-15M	Full-Featured Remote Control Head w/ 14 Alphanumeric Display Note: requires an external speaker	504.00
KRK-5	Single Control Head Remote Mount Kit	147.00
KRK-6DH	Dual Control Head Remote Mount Kit	252.00

HANDHELD CONTROL HEAD REMOTE (Order Configuration Sets for full install accessories)

LIST

KCH-16M	Handheld Control Head for P25 Mobiles Note: requires KRK-11M, KCT-22M/M2/M3, & KES-5	546.00
KRK-11M	KCH-16M HHCH Interface Kit for Single Head Remote	283.50

CABLES		LIST
KCT-18	Ignition sense cable	13.70
KCT-22M	Control cable - 8 Feet	73.50
KCT-22M2	Control cable - 17 Feet (Standard accessory config. set cable)	84.00
KCT-22M3	Control cable - 25 Feet	94.50
KCT-23M	DC Cable (10-50W Dash mount)	31.50
KCT-23M2	DC Cable (50-110W Dash mount)	38.75
KCT-23M3	DC Cable (10-50W Remote mount)	34.75
KCT-23M4	DC Cable (50-110W Remote mount)	45.25

MOBILE INSTALLATION ACCESSORIES		LIST
KLF-2	Line Filter (suppresses alternator whine, 25dB, 25A max)	42.00
KMB-10	Key Lock Adapter for use with KMB-4/5/6	26.30
KMB-5	Medium Power Mounting Bracket (10-50W models)	14.00
KMB-9	High Power Mounting Bracket with built-in key lock (50-110W models)	36.75

MICROPHONES AND SPEAKERS		LIST
KES-5	External Speaker (40W max input)	61.25
KMC-27	MIL-SPEC noise-canceling mobile hand microphone	104.00
KMC-28	MIL-SPEC DTMF noise-canceling mobile hand microphone	163.00
KMC-9B	Desk top microphone	96.50

SERVICE RELATED ACCESSORIES		LIST
KPG-43AM	Programming interface Cable	114.50
KCT-53UM	USB Adapter for KPG-xxAM DB9F Programming Interface Cables (DB9M - to - USB Type A connector)	86.00
KPG-95DK	Windows® Programming Software for TK-5210/5310/5710/5810 Includes "Dealer Level License ID" for FM & P25 Conventional modes only. See L-989 KPG-95DK Network Level ID (Trunking System Privileges) - Restricted Purchase Requirements. Note: A Dealer Level License ID can load network data files provided by a Network Level Licensed KPG-95DK, but cannot change trunked network parameters. KPG-95D V4.00 or later (no key loader): TK-5210/5710/5310/5810 VER1 & VER2 Radios (all Serial No.s) Note: A Kenwood Key Loader for VER2 radios is NOT currently available (see KWD-DE20/KWD-AE20) KPG-95D V3.11 or earlier (no key loader): TK-5210/5710 VER1 Radios (before SN 8060000) ONLY KPG-95DTKL VX.XX (includes key loader; discontinued): TK-5210/5710 VER1 Radios (before SN 8060000) ONLY	628.00
KPG-94	Key Loader Interface Cable for Motorola KVL-3000/3000 Plus	262.50
*****	Call Kenwood Parts at 800-367-7514 to order the following:	
K29-5276-03	Key Inserts for 90-Series/TK-5710/5810 (AN, D/A, DIM, HA, HC, IC, MON, OPT, OST, PA)	14.00
K29-5277-03	Key Inserts for 90-Series/TK-5710/5810 (RCL, RPT, SCN, SP, SPM, SQ, TA, <up arrow>, <down arrow>, 1x Clear key insert)	14.00
K29-5305-03	Key Inserts for 90-Series/TK-5710/5810 (CH1, CH2, CH3, CH4, CH5, AUXA, AUXB, AUXC, EMG, ORG)	14.00
K29-9353-13	Key Inserts for TK-5710/5810 (2TN, AD, AR, CLK, FNC, PBK, SCP, SEC, SEL, SES)	14.00
K29-9354-03	Key Inserts for TK-5710/5810 (GPS, STS, TAC, TON, RES, IDV, KDL, TGR, 2x Clear key inserts)	14.00
K29-9356-03	Key Inserts for TK-5710/5810 (PAG, SIT, SRC, 7 X Clear key inserts)	14.00

FRIMWARE OPTIONS

LIST

KWD-TR20	Trunking Option for TK-5210/5710/5310/5810 Must order L-1056 Note: KPG-95DK Requires Network Level License ID to program trunked network radio parameters (see KPG-95D for purchase restrictions & requirements) Compatible with TK-5210 Version 2 (SN 80600001 or later); TK-5310 (SN 809xxxxx or later); TK-5710 Version 2 (SN806xxxxx); TK-5810 (SN 809xxxxx or later)	875.00
KWD-RK20	OTAR Option for KWD-AE20K Encryption Module for P25 Conventional Only; models TK-5x10 (VER2; except K7) Must order: • With KWD-AE20K (SN 005xxxxx or later) • L-1109 for mobile Installation (no charge) Notes: • Provides OTAR on P25 Conventional only (TIA/EIA-102.AACA compliant; not for use over trunked systems) • Compatible with Motorola KMF P25 conventional OTAR • Not compatible with Motorola-proprietary (non-TIA/P25) KMF features • Not compatible with K7 64 Ch Model • Requires KPG-95D V5.40 or later for radio programming • Option deletes self-programming, cloning and analog FleetSync® (except PTT ID/Emergency) when installed. KWD-RK20 is an U.S. DOC/BIS Export Controlled Item (ECCN 5D002A) - See IMPORTANT NOTES -	830.00

SOFTWARE OPTIONS

LIST

KPG-114DE	DES Encryption Software Key Loader for KWD-DE21K/KWD-AE21K KPG-114DE is a U.S. DOC/BIS Export Controlled Item (ECCN 5D992A.1) - See IMPORTANT NOTES -	368.00
KPG-113AE	AES/DES Encryption Software Key Loader for KWD-DE21K/KWD-AE21K KPG-113AE is a U.S. DOC/BIS Export Controlled Item (ECCN 5D002A) - See IMPORTANT NOTES -	525.00

OPTION MODULES

LIST

KWD-DE20K	DES Encryption Module for TK-5210/5710/5310/5810 Order L-1601 if installation is required. KWD-DE20K requires: a Motorola KVL3000 or KVL3000 Plus key loader device. KWD-DE20K is a U.S. DOC/BIS Export Controlled Item (ECCN 5A992A) - See IMPORTANT NOTES -	578.00
KWD-DE21K	DES Encryption Module for TK-5210/5710/5310/5810 Order L-1602 if installation is required Note: Requires KPG-114DE or KPG-113AE software key loader or Motorola KVL3000 Plus key loader device KWD-DE21K is a U.S. DOC/BIS Export Controlled Item (ECCN 5A992A) - See IMPORTANT NOTES -	578.00
KWD-AE20K	AES FIPS140-2 & DES Encryption Module for TK-5210/5710/5310/5810 Order L-1345 if installation is required. KWD-AE20K requires: a Motorola KVL3000 Plus key loader device. KWD-AE20K is an U.S. DOC/BIS Export Controlled Item (ECCN 5A002A.1) - See IMPORTANT NOTES -	998.00
KWD-AE21K	AES & DES Encryption Module for TK-5210/5710/5310/5810 Order L-1346 if installation is required. Note: Requires KPG-113AE software key loader or Motorola KVL3000 Plus key loader device. KWD-AE21K is an U.S. DOC/BIS Export Controlled Item (ECCN 5A002A.1) - See IMPORTANT NOTES -	998.00
CIM-1000K-26	GE-Star or MDC-1200 ANI Encode 26-Pin Plug-in Board Must order L-1024 or L-1025 for radio install & programming Note: CIM-1000K-26 G-Star®/ MDC1200 Digital ANI (26-Pin Plug-in) Boards Pre-programmed & installed boards require a completed CIM-1000K-26 Information and Order Sheet" (available from Kenwood LMR Order Desk) submitted with order. a) Order the appropriate Labor Code for MDC-1200 or G-Star. b) CIM-1000K-26 boards can be ordered and shipped loose (if shipped loose, Kenwood will not program the board).	131.25

OPTION MODULES - CONT'D

LIST

CIM-CABLE	Serial Program Cable Note: CIM-1000, K-20, K-26 programs via Windows Hyper terminal (Windows Ver 3.1 or later) or any ProComm version; board must be installed in a powered radio for programming. The radio programmer does NOT program the CIM-1000, K-20, K-26. CIM-CABLE is a DB-9 PC connector with 3 short lead with clips and may require a PC serial extension cable. CIM-IRP (Part No 01-30-0510) Infrared wireless standalone programmer, C-Plus line of desktop decoder displays and CIM-1000, K-20, K-26 Instruction Manuals are available directly from Cimarron Technologies 800-487-7184 at www.cimtechcorp.com	61.25
VGS-1	Voice Guide and Storage Unit Note: VGS-1 provides Auto-Record, Voice Memo & Playback; The Voice Guide (a.k.a annunciation) function is built-in to the TK-5710/5810 and does not require the VGS-1	87.50

INSTALLATION / TUNING CHARGES

LIST

L-862	Install Front Panel PF Key Label Inserts in TK-5710/5810/90-series Mobile (key names and positions must be specified)	15.00
L-864	KCT-22A Extended Control Head Cable (Specify length in 1 ft increments up to 50 ft. max.)	190.00
L-865	KCT-22A Extended Control Head Cable (Specify length in 1 ft. increments up to 100 ft. max.) Extended control head cables: Extended cables result in a loss of control head audio power. On KCH-14 use 13W audio output modifications per service manual Use a standard KCT-22 25 ft. or less cable for firmware installation. Normal KPG-95D radio programming is possible at extended lengths.	245.00
L-866	Modify KCT-23M2/M4 110W High Power DC Cables from 4 to 2 Conductors (1x23 ft. positive, 1x23 ft. negative; AWG #10) Two Conductor Modification: KCT-23M2 75/110W Dash Mount DC Cable (4 Conductor: 2x10 ft. positive, 2x10 ft. negative) KCT-23M4 75/110W Remote Mount DC Cable (4 Conductor: 2x23 ft. positive, 2x23 ft. negative)	75.00
L-962	Install VGS-1 Voice Guide & Storage Unit	25.00
L-989	KPG-95DK Network Level ID (encrypted data file) Note: Enables Trunking system programming privileges; See KPG-95DK Network Level ID (Trunking System Privileges) - Restricted Purchase Requirements - The KPG-95D only ships with a "Dealer Level License ID" which permits Conventional FM and P25 Conventional radio programming privileges only. For radios with the P25 Trunking option installed, trunked/network programming privileges require a "Network Level License ID" generally reserved ONLY for the system owner or the system owners authorized operators/service centers. Purchasing the KPG-95DK Network Level License ID will require 1) Written verifiable authorization from the systems owner/operator. 2) The 3-digit hexadecimal P25 System ID from the system owner/operator. 3) Purchase of a L-989 : KPG-95D Network Level ID option. This option will include an encrypted KPG-95D "System Key Data File" containing the 16-digit Network Level License ID & 3-digit hexadecimal System ID code.	132.00
L-1005	TK-5710/5810 Programming (Basic TX/RX check only with factory test freq.s or dealer/customer provided KPG-95D data file)	125.00
L-1006	Modify TK-5710/5810 for Horn Alert relay output (1 amp max.; relay factory installed already)	25.00
L-1008	External Speaker modification for TK-5710/5810 mobile Control Head (13W) Note: All Basic Control Head (KCH-14M) configurations are shipped with the control heads 4W internal speaker enables. Order L-1008 to enable the 13W external speaker output for KES-5 speaker use. This will disconnect the control heads internal 4W speaker!	10.00
L-1024	Install & Program CIM-1000K-26 for MDC-1200 in TK-5710/5810	75.00
L-1025	Install & Program CIM-1000K-26 for GE-Star in TK-5710/5810	75.00
L-1028	Package Dash/Single Head Remote for 5710/5810 mobiles	17.00
L-1029	Package Dual Head Remote for 5710/5810 mobiles	34.00
L-1110	Package HHCH Remote for 5710/5810 mobiles	25.00
L-1056	Install KWD-TR20 Trunking Option in TK-5710/5810 (Must purchase KWD-TR20K separately)	N/C
L-1109	Install KWD-RK20 OTAR Option in TK-5710/5810 (Must purchase KWD-RK20 separately)	N/C
L-1345	Install KWD-AE20K in TK-5710/5810 Mobile (Must purchase module separately)	75.00
L-1346	Install KWD-AE21K in TK-5710/5810 Mobile (Must purchase module separately)	75.00

INSTALLATION / TUNING CHARGES - CONT'D

LIST

L-1601	Install KWD-DE20K in TK-5710/5810 Mobile (Must purchase module separately)	75.00
L-1602	Install KWD-DE21K in TK-5710/5810 Mobile (Must purchase module separately)	75.00

-- IMPORTANT NOTES --

Encryption modules, key loaders and radios containing encryption are export controlled by the U.S. Department of Commerce Bureau of Industry & Security EAR regulations and may either require an Export License, are eligible for a License Exception (ENC) or are exportable with No License Required (NLR) depending on the country, the consignee and the intended use. High level encryption is a special commodity that may require an export license to most countries. See www.bis.gov for more information regarding export regulations. DO NOT SHIP encryption items outside the U.S. without proper DOC/BIS Export Licenses and/or compliances.

Kenwood may request the following information to be submitted at time of order (this information must meet Kenwood internal approvals prior to shipment even if being returned to Kenwood later:

a) Initial Destination: Initial delivery point if different from Ultimate Destination (customer distribution center, headquarters, dealership, manufacturer's representative)

* Business/Agency Name:

* Address:

* Contact Person Name:

* Contact Phone:

b) Ultimate Destination: Final delivery point(s); deployment/distribution

* Business/Agency Name:

* Address:

* Contact Person Name:

* Contact Phone:

c) Intended Use of Radios: Law enforcement, security, operations, etc.

KWD-AE20 AES FIPS140-2 SCM , NIST Validation & Customer Shipping

A secure delivery method direct to the end user customer is required by the NIST AES FIPS 140-2 validation rules. For U.S. Federal Government entities the SCM must ship from Kenwood USA Corporation directly to the end user customer by a trusted carrier (FEDEX, UPS or a designated Kenwood USA Corporation employee); shipping/handling by a dealer or other entity is not acceptable. This may or may not be required by local/state government agencies or business/industrial users. Please check with the end use customer about their AES encryption handling requirements before ordering. Kenwood will not be responsible for shipments of KWD-AE20K modules to erroneous destinations specified on an order.